

Product data sheet

Characteristics

8910DPA43V07

Contactor, Definite Purpose, 40A, 3 pole, 25 HP at 575 VAC, 3 phase, 550/600 VAC 50/60 Hz coil, open



Product availability: Stock - Normally stocked in distribution facility

Price*: 113.25 USD



Main

| | |
|---------------------------|----------------------------|
| Product or component type | Definite Purpose Contactor |
| Line Rated Current | 40 A |
| Poles description | 3P |
| Pole contact composition | 3 NO |
| Range of product | DPA |

Complementary

| | |
|--------------------------------|---|
| Maximum Horse Power Rating | 3 Hp 115 V AC, 1 phase 7.5 Hp 230 V AC, 1 phase 10 Hp 230 V AC, 3 phase 20 Hp 460 V AC, 3 phase 25 Hp 575 V AC, 3 phase |
| Locked rotor rated current | 240 A 277 V AC 200 A 460 V AC 160 A 575 V AC |
| [Ue] rated operational voltage | 600 V AC |
| [Uc] control circuit voltage | 550 V AC 50 Hz 600 V AC 60 Hz |
| Phase | 3 phase |
| Electrical connection | Quick connect terminals Box lugs |

Environment

| | |
|------------------------|----------------------|
| Product certifications | UL Recognized CSA |
|------------------------|----------------------|

The information provided in this documentation contains general descriptions and/or technical characteristics of the performance of the products contained herein. This documentation is not intended as a substitute for and is not to be used for determining suitability or reliability of these products for specific user applications. It is the duty of any such user or integrator to perform the appropriate and complete risk analysis, evaluation and testing of the products with respect to the relevant specific application or use thereof. Neither Schneider Electric Industries SAS nor any of its affiliates or subsidiaries shall be responsible or liable for misuse of the information contained herein. *Prices are indicative

Ordering and shipping details

| | |
|-----------------------|-----------------------------|
| Category | 21344 - 8910 DPA 4_(40 AMP) |
| Discount Schedule | CP1B |
| GTIN | 00785901342694 |
| Nbr. of units in pkg. | 1 |
| Package weight(Lbs) | 18.88 Oz (535.239 g) |
| Returnability | Yes |
| Country of origin | CN |

Packing Units

| | |
|------------------------|---------------------|
| Unit Type of Package 1 | PCE |
| Package 1 Height | 2.60 In (6.604 cm) |
| Package 1 width | 3.20 In (8.128 cm) |
| Package 1 Length | 4.30 In (10.922 cm) |

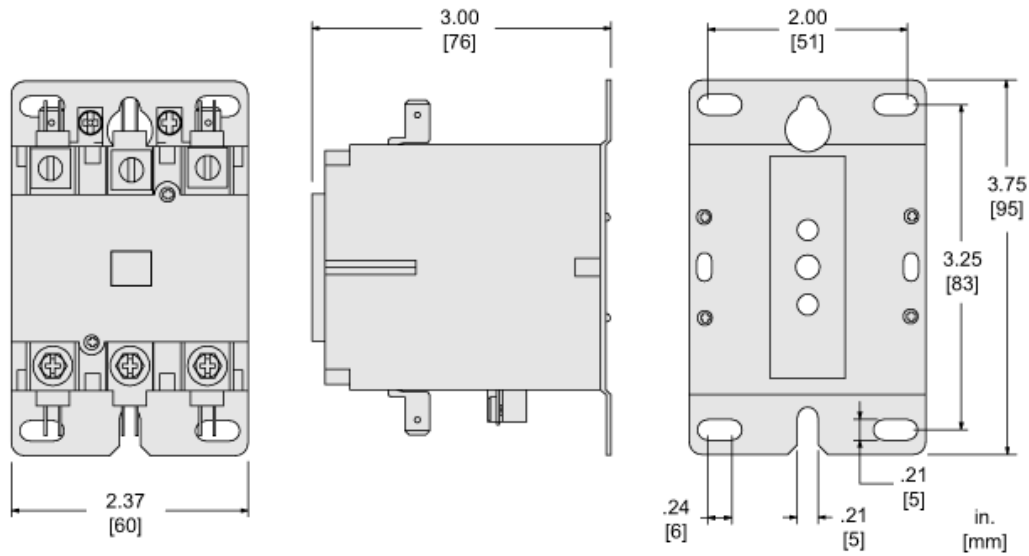
Offer Sustainability

| | |
|----------------------------|---|
| REACH Regulation | REACH Declaration |
| EU RoHS Directive | Compliant EU RoHS Declaration |
| Mercury free | Yes |
| RoHS exemption information | Yes |
| China RoHS Regulation | China RoHS Declaration |

Contractual warranty

| | |
|----------|-----------|
| Warranty | 18 months |
|----------|-----------|

Approximate Dimensions



Product Life Status : Commercialised